

Home

Files: Open, DWG Convert, Plot, Batch Plot, Preview

Navigation: Extents

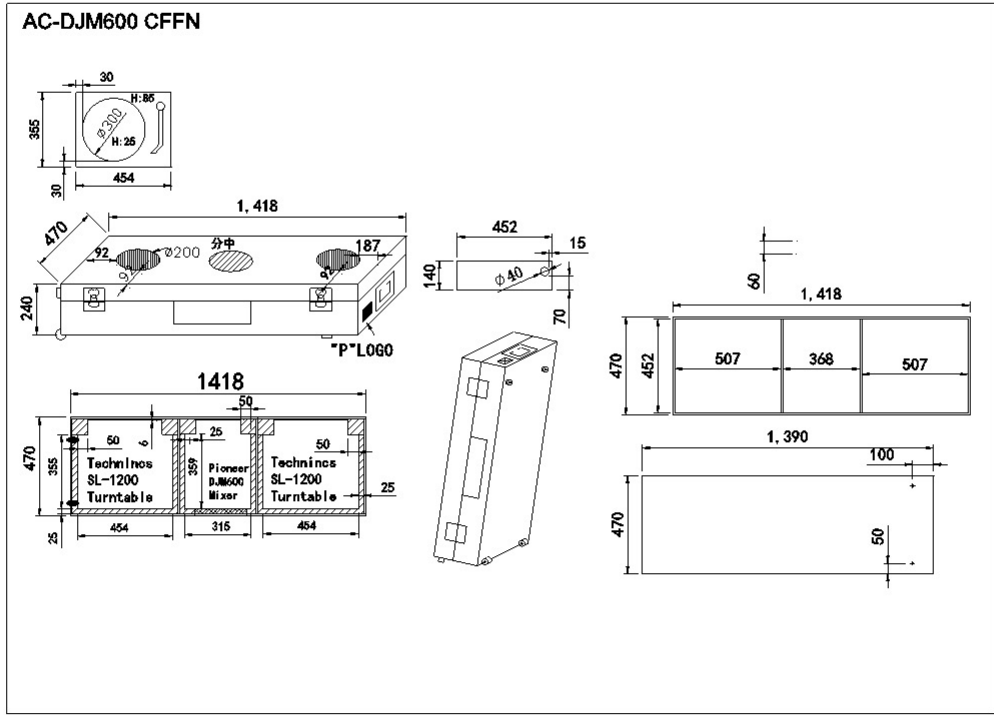
View: Wireframe, Unsaved View, Named Views

Layers: Unsaved Layer State

Measure: Measure, Region/Mass Properties, List, Locate Point

Object Snap: Endpoint

User Interface: Switch Windows, File Tabs, Tile Horizontally, Tile Vertically, Cascade, User Interface



Model / 布局1 布局2

Press ESC or ENTER to exit, or right-click to display shortcut menu.

PAN
142.9169, 116.0469, 0.0000

Windows taskbar with Start button and application icons: File Explorer, Internet Explorer, Microsoft Word, Microsoft PowerPoint, Adobe Reader, and others.